

LT-850-5A DMX-PWM CV DECODER

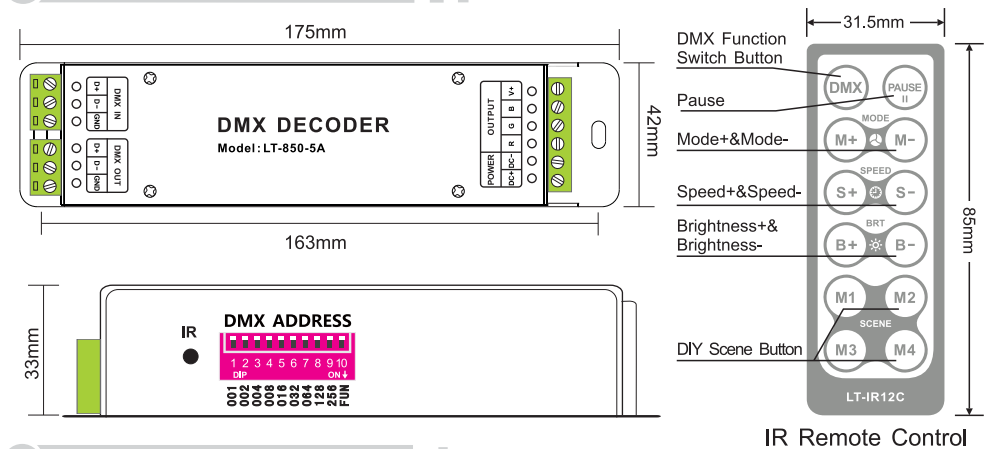


LT-850-5A DMX-PWM Decoder works to convert universal DMX512 digital signal to PWM signal, Which controlled by DMX512 console, with 8bit gray scale output per channel. Realize 0-100% brightness and various changing effect. And can control single color, RGB LED lights.

1. Product Parameter:

LT-850-5A	
Input Signal	DMX512
Power Supply Chosen	DC CV SMPS
Input Voltage	DC5V~DC24V
Max Current Load	5A/CH×3CH 15A Max
Max Output Power	75W/180W/360W(5V/12V/24V)
Output Gray Scale	256 Levels/CH(8bit/CH)
DMX512 Socket	Green Terminal
Working Temperature	-30°C-65°C
Dimension	L175×W42×H33mm
Package Size	L178×W46×H58mm
Weight(G.W.)	310g

2. Configuration Diagram:



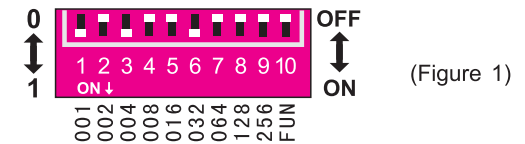
3. Set Initial DMX Address:

Fun=OFF(the 10th DIP switch is upward) is DMX signal mode, as figure 1.

DIP	1	2	3	4	5	6	7	8	9
Value	001	002	004	008	016	032	064	128	256
Remark									
DMX512 initial address is the total amount of the Dip switch 1-9, down dip switch to "ON" position, User can get its place value, Up dip switch to "OFF" position, its place value is 0.									

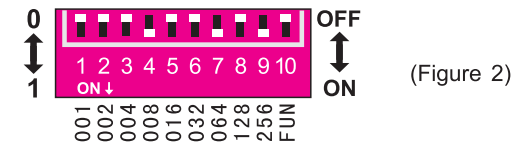
Example 1: Set initial address to 37.

Set the 1st, 3rd, 6th, bit of the DIP switch downward to "1" the rest to "0" (like figure 1), the summation from 1 to 9 is 1+4+32, so the DMX512 initial address code is 37.

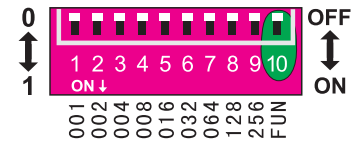


Example 2:

Set the dip switch 4,7,9 down to "1",the rest to "0" (like figure 2), the summation from 1-9 is 8+64+256, so the DMX initial address is 328.




Testing Function:



As figure, FUN=ON: test function; 1-9DIP switch=OFF: BLACK

DIP1	DIP2	DIP3	DIP4	DIP5	DIP6	DIP7	DIP8	DIP9
Red	Green	Blue	Yellow	Purple	Cyan	full brightness	Strobe	Color gradual

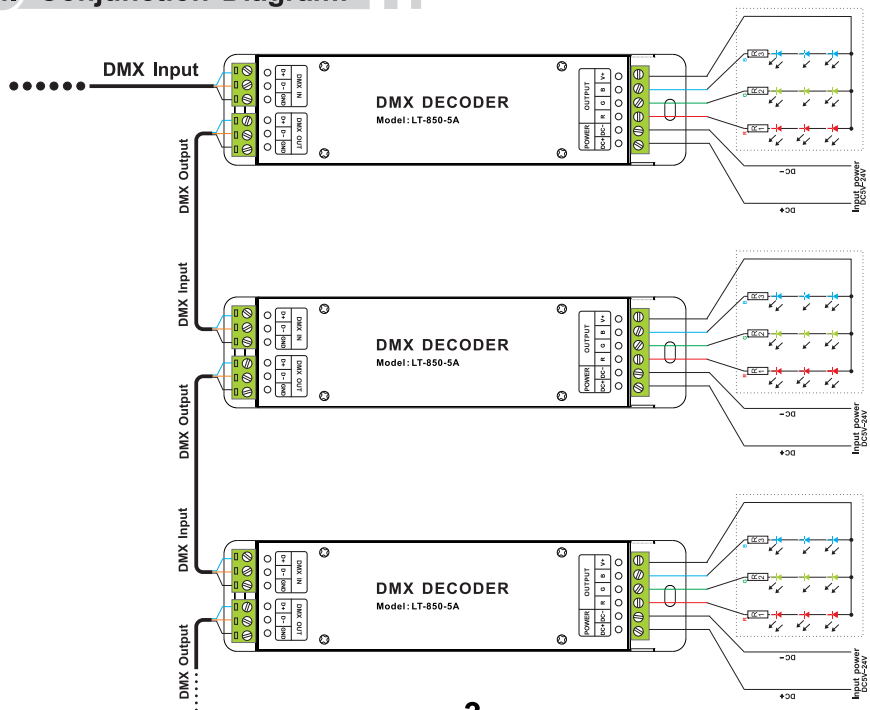


1-7 is to realize 8 speed levels. 7 is the fastest levels while dip switch 1-7=OFF: the speed is 0.

DIP1	DIP2	DIP3	DIP4	DIP5	DIP6	DIP7
Speed 1	Speed 2	Speed 3	Speed 4	Speed 5	Speed 6	Speed 7

As figure, when several dip switches are on,subjected to the highest switch value,when all the dip switches=ON,it's the color gradual in the test mode, 7 speed level

4. Conjunction Diagram:



5. Attention:

- 1) The product shall be installed and serviced by a qualified person.
- 2) This product is non-waterproof. Please avoid the sun and rain. When installed outdoors please ensure it is mounted in a water proof enclosure.
- 3) Good heat dissipation will prolong the working life of the controller. Please ensure good ventilation.
- 4) Please check if the output voltage of any LED power supplies used comply with the working voltage of the product.
- 5) Please ensure that adequate sized cable is used from the controller to the LED lights to carry the current. Please also ensure that the cable is secured tightly in the connector.
- 6) Ensure all wire connections and polarities are correct before applying power to avoid any damages to the LED lights.
- 7) If a fault occurs please return the product to your supplier. Do not attempt to fix this product by yourself.

6. Warranty Agreement:

- 1) We provide lifelong technical assistance with this product:
 - A 5-year warranty is given from the date of purchase. The warranty is for free repair or replacement and covers manufacturing faults only.
 - For faults beyond the 5-year warranty we reserve the right to charge for time and parts.
- 2) Warranty exclusions below:
 - Any man-made damages caused from improper operation, or connecting to excess voltage and overloading.
 - The product appears to have excessive physical damage.
 - Damage due to natural disasters and force majeure.
 - Warranty label, fragile label and unique barcode label have been damaged.
 - The product has been replaced by a brand new product.
- 3) Repair or replacement as provided under this warranty is the exclusive remedy to the customer. LTECH shall not be liable for any incidental or consequential damages for breach of any stipulation in this warranty.
- 4) Any amendment or adjustment to this warranty must be approved in writing by LTECH only.
 - ★ This manual only applies to this model. LTECH reserves the right to make changes without prior notice.